

DWG BY **J.Musser**

APVD BY *R*

SCALE **NTS**

DATE

05/09/08

SHEET **1OF4**

K.O. CURTAIN

K.O. Fire Curtain Inc.

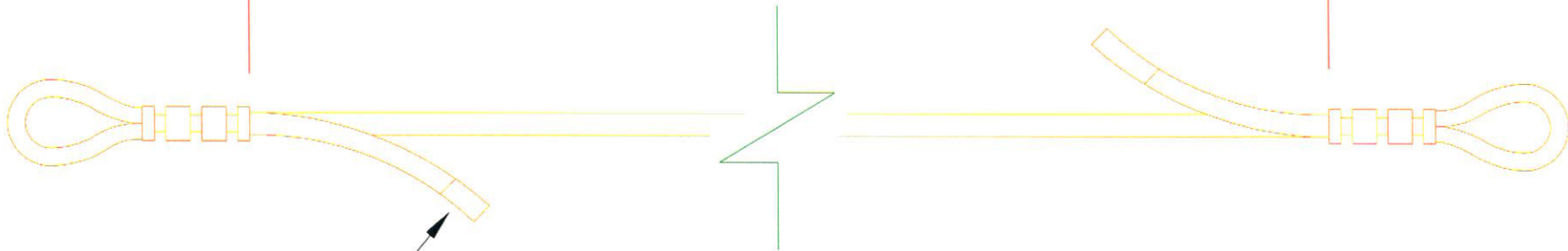
167 Fairfield Avenue
Mineola, NY 11501

Ph: 516-662-3900

Fax: 866-760-6870

37'-6" TO ENDS BEFORE FOLDING

35'-6"



BLACK SHRINKWRAPPING

DWG BY **J.Musser**

APVD BY 

SCALE **NTS**

DATE

05/09/08

SHEET **2OF4**

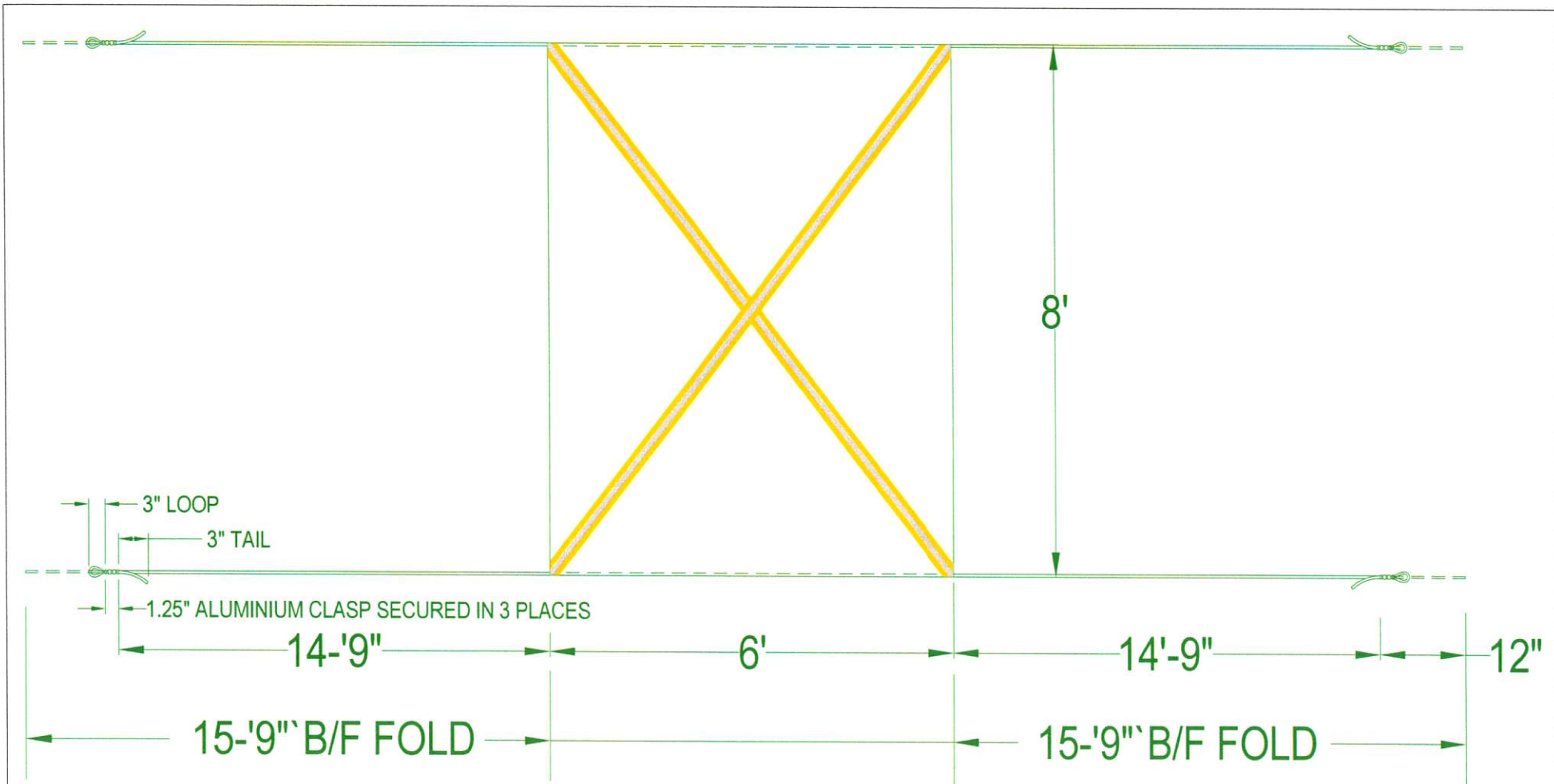
ROPE DETAIL

K.O. Fire Curtain Inc.

**167 Fairfield Avenue
Mineola, NY 11501**

Ph: 516-662-3900

Fax: 866-760-6870



DWG BY **J.Musser**

APVD BY *JM*

BLANKET/ROPE LAYOUT

K.O. Fire Curtain Inc.

167 Fairfield Avenue
Mineola, NY 11501

SCALE **NTS**

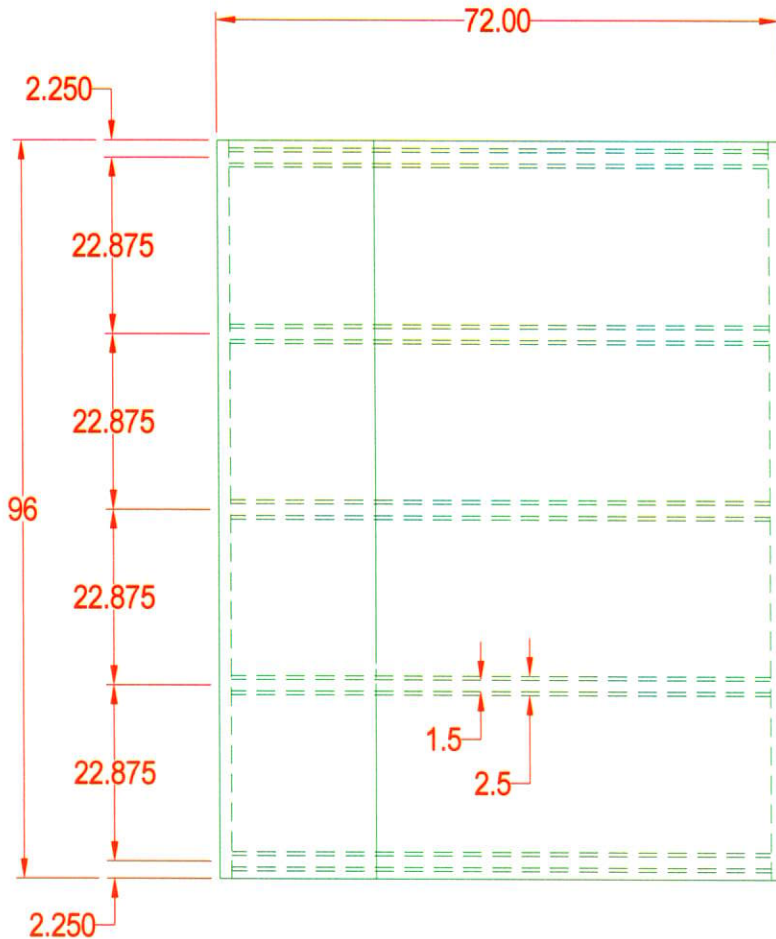
DATE

05/09/08

SHEET **3OF4**

Ph: 516-662-3900

Fax: 866-760-6870



MATERIALS USED

- 1: HOT STOP[®] 1500 "L" DIED RED
** HOT STOP IS A REGISTERED TRADEMARK OF INDUSTRIAL ENERGY PRODUCTS Inc.
- 2: 3/8" HT2[®] FIREPROOF SEARCH LINE
**HT2 IS A REGISTERED TRADEMARK OF INDUSTRIAL ENERGY PRODUCTS Inc.
 UNITED STATES PATENT # 7,175,908 B2
 THOMAS J. CONNOLLY, Jr.
- 3: 6061 HIGH GRADE ALUMINUM BARS
- 4: 5/16" ALUMINUM CRIMPING SLEEVES
- 5: POLYESTER / STAINLESS STEEL THREAD
- 6: 2 COLOR REFLECTIVE SAFETY TAPE
- 7: TEFLON COATED GLASTEMP THREAD
- 8: SHRINK WRAP TUBING

DWG BY **J.Musser**

APVD BY

**BAR/POCKET LAYOUT
MATERIAL CALLOUT**

K.O. Fire Curtain Inc.

167 Fairfield Avenue
Mineola, NY 11501

SCALE **NTS**

DATE

05/09/08

SHEET **4OF4**

Ph: 516-662-3900

Fax: 866-760-6870